



Electrolux
PROFESSIONAL

**Modular Cooking Range Line
700XP Worktop with Water Column
and Liter Counter, 200 mm**

ITEM # _____

MODEL # _____

NAME # _____

SIS # _____

AIA # _____



206377 (WTNWTCT7E)

Ambient WorkTop with water column and liter counter, 1/4 module - 700

Short Form Specification

Item No. _____

200 mm wide top unit with mounted water column, fitted with electronic liter-counter. Easy operation, LED display allows to constantly monitor the water output. Unit to be installed on bases, bridging supports or cantilever systems. Equipped with liter-counter. One piece pressed worktop in 1.5 mm thick stainless steel provides a heavy duty work surface under any load.

Main Features

- 200 mm wide top unit with mounted water column, fitted with electronic liter-counter.
- Easy operation, LED display allows to constantly monitor the water output.
- Unit features cold water tap.
- Unit to be mounted on open base cupboards, bridging supports or cantilever systems.
- Top configuration allows installation on ambient base only (not possible to install on refrigerated nor freezer base).

Construction

- Model has right-angled side edges to allow flush fitting joints between units, eliminating gaps and possible dirt traps.
- All exterior panels in Stainless Steel with Scotch Brite finishing.
- Stainless steel top provides a heavy duty work surface under any load.

Optional Accessories

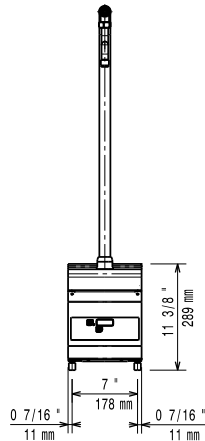
- Support for bridge type installation, 800mm PNC 206137
- Support for bridge type installation, 1000mm PNC 206138
- Support for bridge type installation, 1200mm PNC 206139
- Support for bridge type installation, 1400mm PNC 206140
- Support for bridge type installation, 1600mm PNC 206141
- Support for bridge type installation, 400mm PNC 206154
- Half module overshelf PNC 206183
- Water column with swivel arm (water column extension not included) PNC 206289
- Water column extension for 700 line PNC 206291
- Chimney upstand, 200mm PNC 206302
- Right and left side handrails PNC 206307
- Frontal handrail, 400mm PNC 216046
- Frontal handrail, 800mm PNC 216047
- Frontal handrail, 1200mm PNC 216049
- Frontal handrail, 1600mm PNC 216050
- Large handrail - portioning shelf, 400mm PNC 216185
- Large handrail - portioning shelf, 800mm PNC 216186
- 2 side covering panels for top appliances PNC 216277

APPROVAL: _____



Experience the Excellence
www.electroluxprofessional.com

Front


Electric
Supply voltage:

206377 (WTNWTCT7E) 230 V/1 ph/50/60 Hz

Water:
Water cold/hot pipe size 3/4"

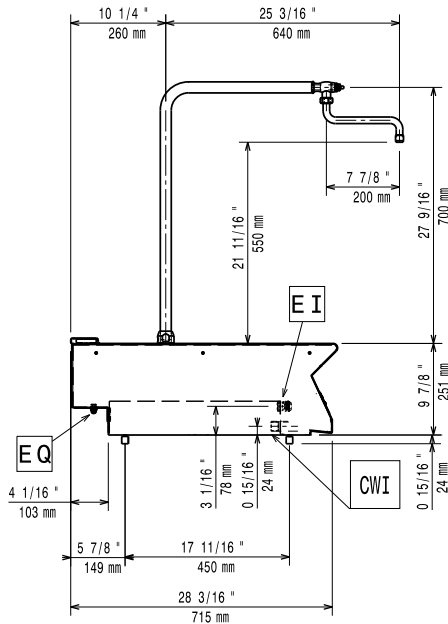
Key Information:
External dimensions, Width: 200 mm

External dimensions, Depth: 730 mm

External dimensions, Height: 250 mm

Net weight: 6 kg

Side


 CWI = Cold Water inlet 1 (cleaning)
 EI = Electrical inlet (power)

Top

